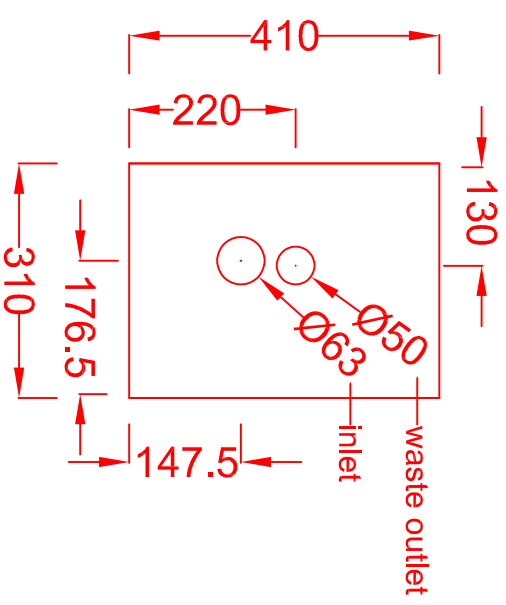
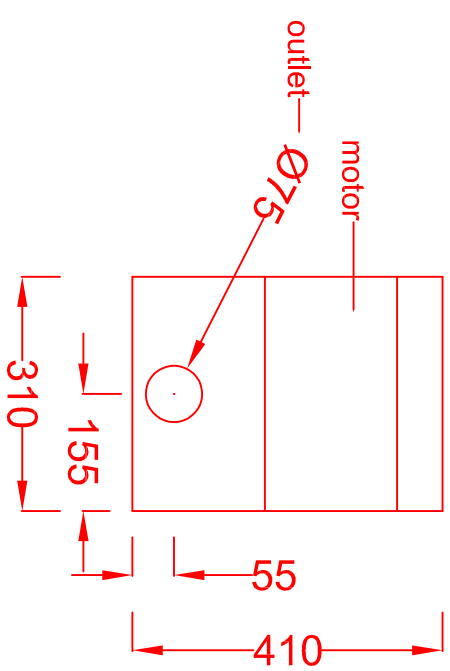


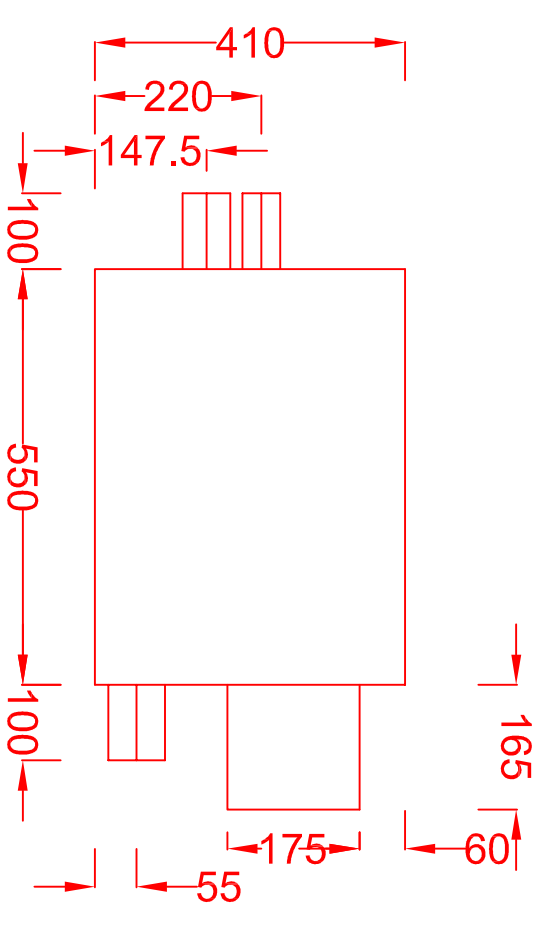
Front



Back



Side



measurements in mm

PROJECT:

frome

TM1

| Schaal | FASE | LOCATIE | VAKGROEP | STATUS | OBS | TYPE | VOLGNR. | Index | Blad |
|-------------|------|---------|----------|--------|-----|------|---------|-------|------|
| 1/10 | - | - | - | - | - | - | - | - | - |

08022019